

4

3

2

1

REVISIONS		DWG. NO.	SHEET	REV
ZONE	REV	DESCRIPTION	DATE	APPROVED
	A	CONVERT TO BEC FORMAT	DMR 11-12-02	<i>maw</i>

SPECIFICATIONS:

FREQUENCY RANGE: 470 TO 860 MHz
 INPUT POWER: 1000W AVG., 4000W PEAK (PEAK SIGNALS CONSIST OF RANDOMLY OCCURRING PULSES OF 100nS IN DURATION)
 ATTENUATION: 40dB ±0.5dB
 IMPEDANCE: 50 OHMS NOMINAL
 VSWR: 1.20:1 MAX. OVER THE FREQUENCY RANGE
 COOLING: ATTENUATOR MUST BE MOUNTED TO A HEAT SINK CAPABLE OF MAINTAINING A 100° C. CASE TEMPERATURE AT 1000W AVG. INPUT
 CONNECTORS: N-TYPE FEMALE
 LABELING: LABELED WITH NOMINAL ATTENUATION (40dB)
 MATERIALS: ALUMINUM BASE AND COVER
 FINISH: SILVER PLATED BASE, IRRADITED COVER

D

D

C

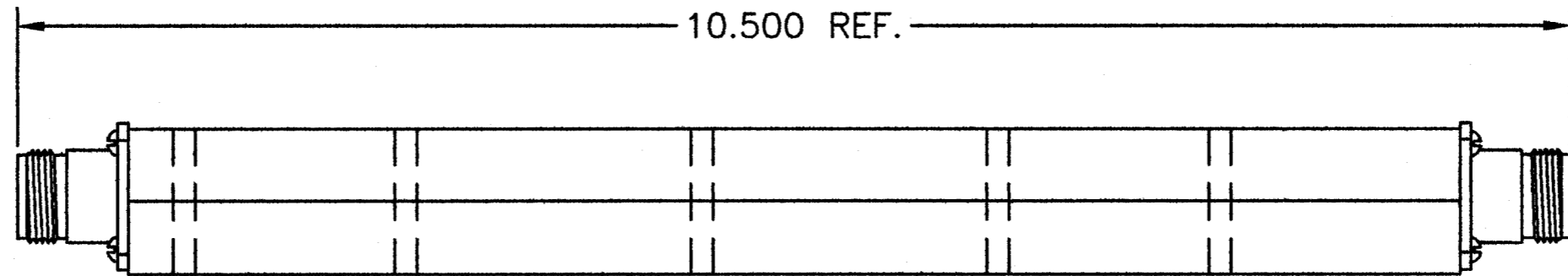
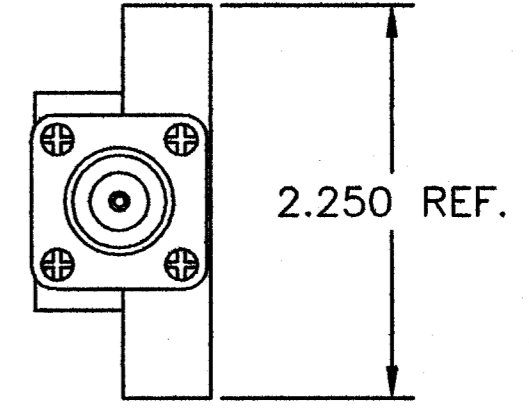
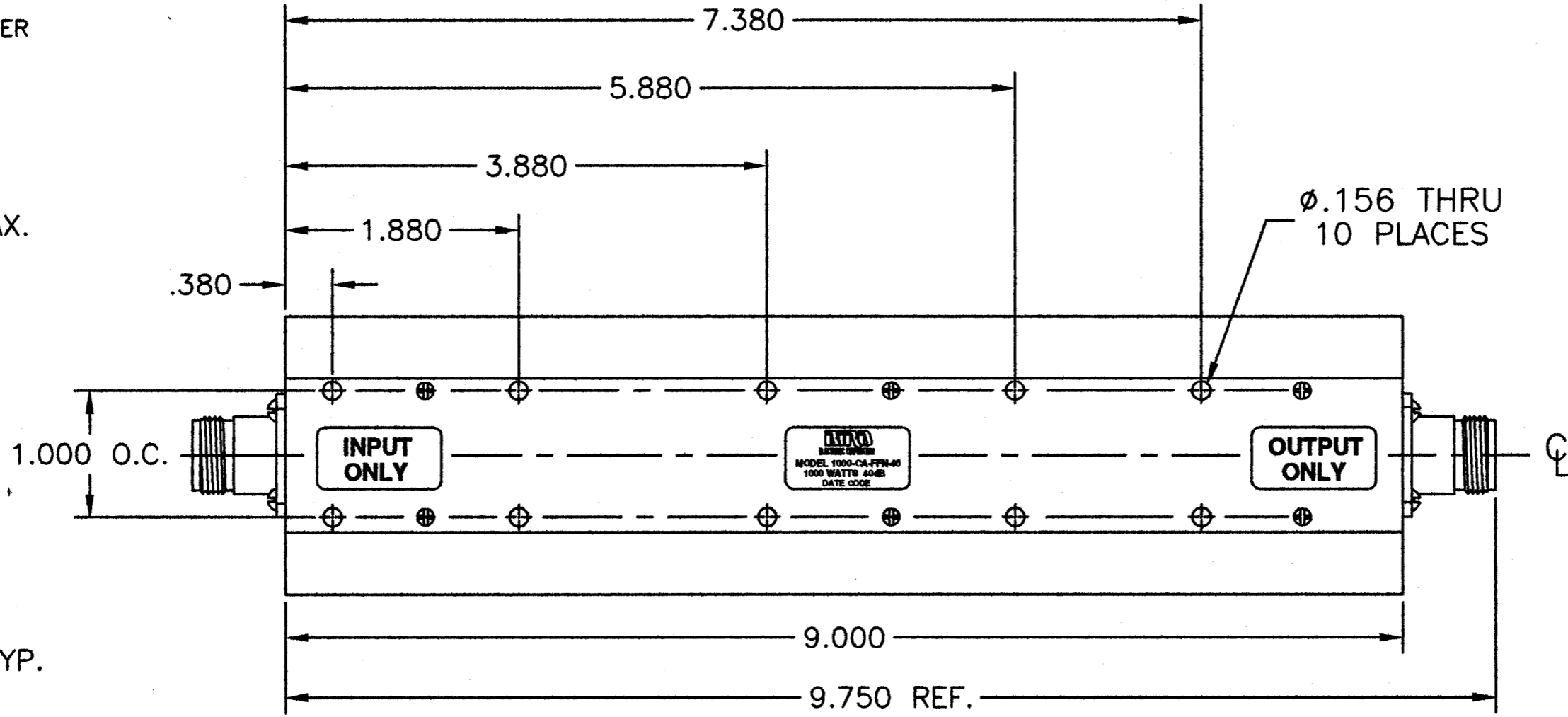
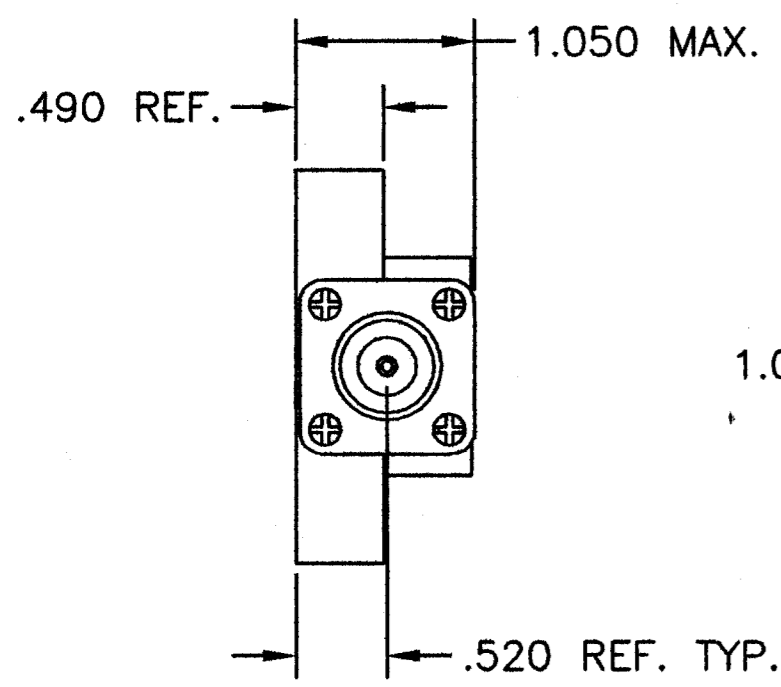
C

B

B

A

A



DIMENSIONS HEREON ARE FOR CUSTOMER CONVENIENCE AND REFERENCE ONLY. TOLERANCE TO BE APPLIED ONLY WHERE INDIVIDUALLY STATED ON THE RESPECTIVE DIMENSION. -DO NOT SCALE DRAWING-

UNLESS OTHERWISE SPECIFIED DIMENSIONS ARE IN INCHES TOLERANCES ARE: FRACTIONS ± 1/64 DECIMALS .010 ANGLES ± 30'	MILLIMETERS X= ±.4 XX= ±.12	THIS DRAWING IS THE PROPERTY OF THE BIRD ELECTRONIC CORPORATION. THE DESIGNS AND SPECIFICATIONS DISCLOSED HEREON ARE PROPRIETARY AND SHALL NOT BE REPRODUCED, NOR COPIED, NOR USED AS THE BASIS FOR THE MANUFACTURE OR SALE OF APPARATUS OR DEVICES WITHOUT THEIR EXPRESS WRITTEN CONSENT.	BIRD Electronic Corporation Cleveland (Solon) Ohio USA
DO NOT SCALE DRAWING		APPROVALS DRAWN DMD CHECKED APPROVED <i>maw</i>	TITLE ATTENUATOR, CONDUCTION COOLED 1000W, 40dB
DATE 11-11-02		SIZE C	DWG. NO. 1000-CA-FFN-40
FINISH		SCALE 1:1	REV A
AUTOCAD		COMM CODE AT1	SHEET 1 OF 1

4

3

2

1